

6 Reasons for Service Engineers to Install the Upgraded Netwave NW6000 VDR System

Netwave's NW6000 VDR system has had a mid-life refresh as part of the re-certification program to incorporate Netwave's new analogue microphones. Orolia Maritime's Netherlands based engineering team have used service engineer feedback to identify upgrades and new features that improve both the user experience and ease of installation through greater versatility in the design.

1. New Analogue Microphone

Netwave's new IP66 rated ship analogue microphone offers a range of benefits over our existing digital microphones, including the cost saving of using existing analogue cabling when retrofitting older variant VDRs. The components are designed for ease of installation and can be used both internally and externally, reducing the need for multiple microphone types and offering greater consistency in fitting and performance. Engineered to reduce the complexity of fitting to an existing VDR installation, with retrofit plates available on request, the unit's flexibility is reflected by its ability to be flush or surface mounted.



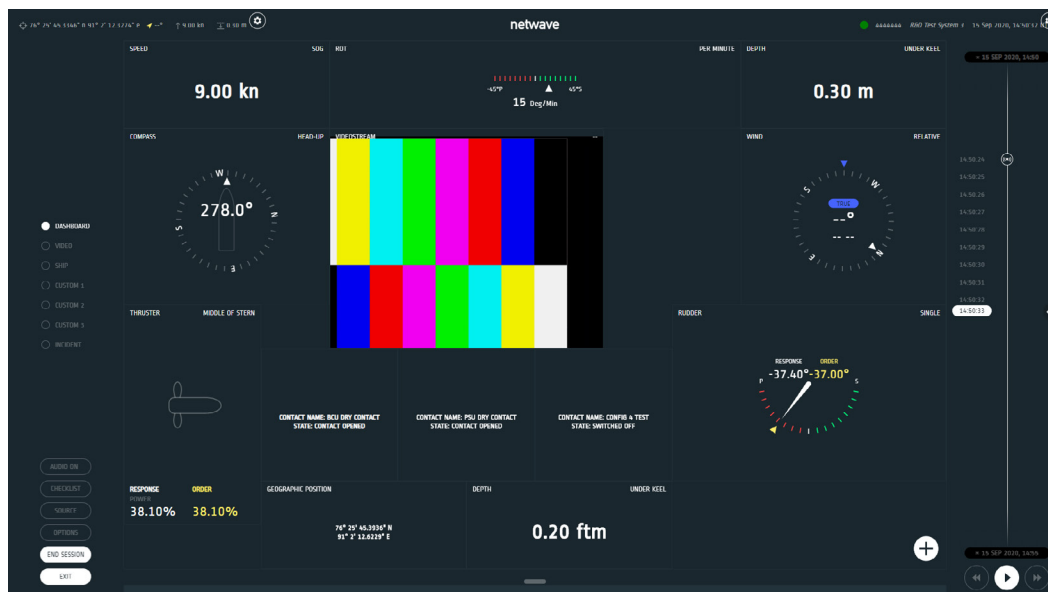
2. New VDR Audio Hub

This new audio hub greatly increases the versatility of the VDR installation by offering the flexibility of supporting six audio channels simultaneously. These channels can be individually configured for either analogue microphone or VHF radio Channel. The hub's ability to both communicate and be powered via Power over Ethernet (PoE) allows the microphones to be connected and powered directly to the audio hub, removing the need for cable daisy chaining required with digital microphones. The hub configuration can be carried out via the newly developed web-based configuration tool. The Audio Hub platform reduces the requirement for PoE ports, ideal for expanding VDR systems where more microphones are required.



3. New VDR Player V2

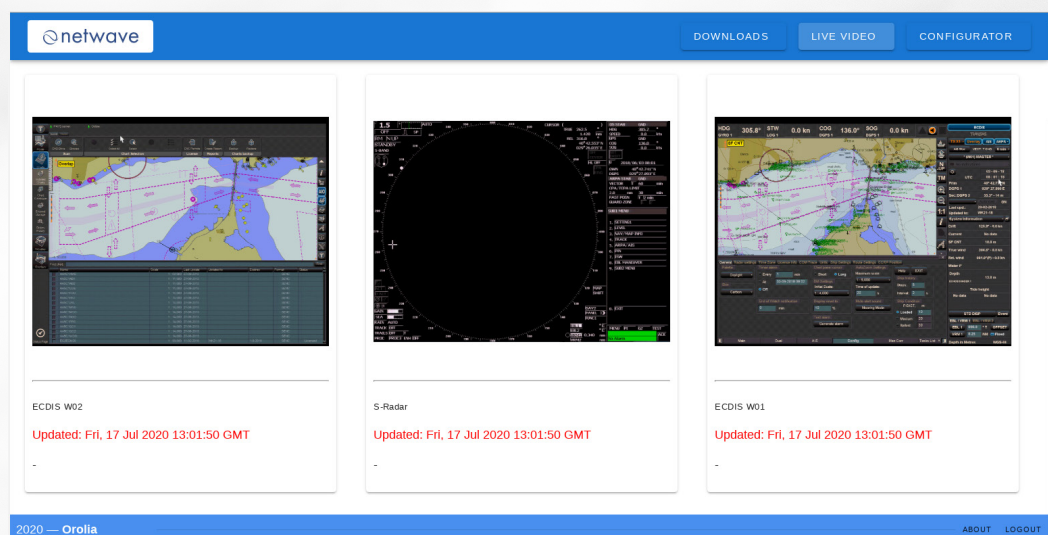
The new Player V2 playback software is based on web technologies that allow automatic configuration for common data sources, such as audio, video and NMEA, independent of the VDR configuration. The instinctive user interface allows filtering of the NMEA sources toolbox and supports double bridge system playback.



4. New VDR Configurator

The VDR configurator has been developed using web-based technologies allowing system configuration by interfacing directly by the VDR, offering greater time saving efficiency than the previous Player V1 configuration software. The VDR configurator also integrates a VDR Software Upgrade utility making the existing Update Manager application in many ways redundant.

The network scan identifies new devices that can be installed, utilises a user-friendly drag and drop interface for adding data sources to be recorded and/or configured. The network scan also highlights installed devices that are out of the VDR network and also installed devices that have dropped off and are missing.

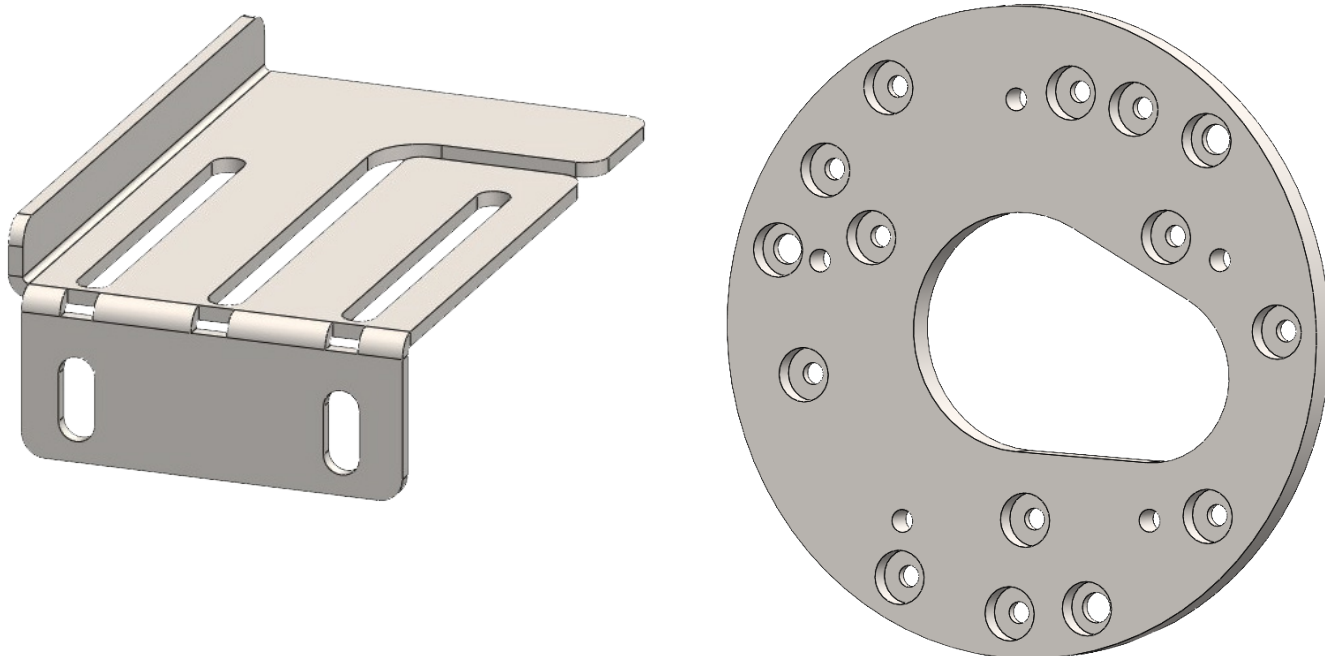


5. Software Upgrades

The new Player V2 playback software is based on web technologies that allow automatic configuration for common data sources, such as audio, video and NMEA, independent of the VDR configuration. The instinctive user interface allows filtering of the NMEA sources toolbox and supports double bridge system playback.

6. Ease of Installation

The inclusion of a multi-purpose welding plate with the NW6000 reduces the difficulty of retrofitting fixed capsules from other brands of VDR, by removing the need to weld new fittings in place. Combined with new cabling in the core module to simplify the battery replacement process, the NW6000 upgrades are designed with installation engineers in mind, reducing complexity and improving the user experience.



**Marine Electronics &
Satellite Communications**

www.mackaymarine.com

Mackay Marine – High Seas

+1 281 479 1515 marinesales@mackaymarine.com

Mackay Communications, Satellite Solutions

+1 919 850 3100 satserv@mackaycomm.com

Mackay Marine Canada

+1 902 469 8480 sales.canada@mackaymarine.com

Mackay Marine Alaska & Pacific Northwest

+1 206 282 8080 ballard@mackaymarine.com

For more information
maritime.sales@orolia.com
www.roliamaritime.com