



Blue Sky Network

# Blue Sky Network Product Overview

Connect and communicate with confidence, anytime and anywhere

For over 20 years, Blue Sky Network has delivered cutting-edge satellite communication solutions that enable customers to reliably track, manage, and engage their high-value land, air, and sea assets in real time from any location in the world.

# Delivering cutting-edge, continuous connectivity

## GLOBAL COVERAGE

Our products utilize Iridium's Low-Earth Orbit (LEO) satellite network to deliver uninterrupted communication and IoT / M2M capabilities from any location, at any altitude on Earth.



## DUAL-MODE CONNECTIVITY

Several solutions within our portfolio are purpose-built to switch between satellite and cellular networks, providing least-cost routing communication.



## END-TO-END SOLUTIONS

Blue Sky Network offers an extensive suite of hardware, software, and cloud-based services that seamlessly integrate to enhance your enterprise intelligence, situational awareness, and operational efficiency.



# The Iridium network advantage

## 100% POLE-TO-POLE CONNECTIVITY

Satellites that are uniquely structured to ensure coverage in the most remote locations on Earth and support beyond visual line of sight communications

## WEATHER RESILIENT

Leverages L-band frequencies that can sustain the most adverse conditions on land, in the air, or at sea

## LOW LATENCY

Iridium's Low-Earth Orbit constellation delivers stronger signals and faster connections versus other satellite networks

## LIGHTWEIGHT ANTENNAS

L-band antennas are lightweight, enabling Blue Sky Network to engineer compact and portable communication solutions



Blue Sky Network

# Satellite Voice, Docking Stations & Tracking Products

# ComCenter Indoor



## Permanent satellite phone for enhanced resiliency and business continuity



### 100% GLOBAL VOICE CONNECTIVITY

Weather-resilient satellite coverage with low latency for critical voice communications—anytime, anywhere



### EASY INSTALLATION

Quick to install, the ComCenter uses a built-in transceiver to provide always-available indoor satellite communication



### IDEAL IN-BUILDING SOLUTION

Designed as fixed station Iridium voice terminal with POTS for office infrastructure integration

### KEY FEATURES

- Permanent and secure installation
- Perfect for highly trafficked areas
- Easy connection to Iridium antenna for indoor use
- Provides voice continuity during natural or man-made disasters
- Reliable equipment

# Docking Stations

Blue Sky Network offers a variety of accessories as well as fixed, vehicular, and bagged docking stations to deliver comprehensive usage for our satellite phones.



**Fixed Docking Station  
(9555 & 9575)**



**Fixed Docking Station +  
Handset (9555 & 9575)**



**Vehicular  
Docking Station**



**Bagged Docking  
Stations**



**Boxed Docking  
Stations**

# Docking Station



## KEY FEATURES

- Provides office/in-building solution for Iridium PTT (9575P)
- Extend use with analog phone anywhere in the building
- Easy connection to Iridium antenna
- Supports a wide range of input voltages
- Palm mic/speaker option

## BENEFITS

- No need to exit the building to communicate
- User-friendly form factor
- Intuitive & reliable communications
- Phone can be removed for on-foot use



**9575P HQ Docking Station**

**ASE-9575P-HQ**



# Vehicle Docking Station



## KEY FEATURES

- Provides in-vehicle solution for Iridium PTT (9575P)
- Rugged connectors
- Easy connection to Iridium antenna
- Natural use with palm/speaker mic
- Supports a wide range of input voltages

## BENEFITS

- No need to exit the vehicle to communicate
- User-friendly form factor
- Intuitive & reliable communications
- Phone can be removed for on-foot use



**9575 & 9575P Vehicle Docking Station**  
**ASE-9575P-VEH**

# ASE DK075 & DK050 Docking Stations



## KEY FEATURES

- Docking station for Iridium 9555 satellite phone
- Works with passive or active antennas
- No need for firmware upgrades
- Large and bright diagnostic indicators

## BENEFITS

- Reliable comms in an emergency
- Can use satellite phone indoors
- Very low maintenance
- Cost-effective docking option



# ASE 9575P BoxDock



## KEY FEATURES

- Rugged case for storage & transportation
- Case includes LED charging indicators
- Use with palm/speaker mic or headphones
- Built-in rechargeable battery
- Magnetic mount Iridium & GPS antenna

## BENEFITS

- Complete grab & go box kit
- Extremely portable
- High quality protection
- Easy integration with vehicle or field camp



# ASE 9575P BagDock



## KEY FEATURES

- Canvas bag for easy storage and transportation
- Use with palm/speaker mic
- Built-in rechargeable battery
- Magnetic mount Iridium & GPS antenna

## BENEFITS

- Complete grab & go bag kit
- Extremely portable
- Easy integration with vehicle or field camp



# Satellite Phone Accessories

Blue Sky Network offers a variety of accessories to complement our suite of satellite phones.



**Push-to-Talk Link**



**Antennas**



**Replacement Batteries**



**Power Supplies**



**Adapters**



**Speaker/Mic Kit**

# SHOUT Personal Devices



## Handheld, global, two-way satellite messaging and personal tracking devices that utilize Iridium's SBD service



### REAL TIME, 2-WAY MESSAGING

Supports 2-way communications with free-text, canned-text and check-in messaging options as well as SOS alerts.



### REMOTE TRACKING

Offers precise GPS tracking, from anywhere in the world. Pairs with SkyRouter, allowing command centers to track all personnel within a single interface.



### HANDHELD, PORTABLE DEVICE



Compact, rugged, self-contained satellite trackers that are highly convenient for on-the-go, lone workers

### KEY FEATURES

- Ultra-low power consumption
- Free-Text, canned-text, and check-in messaging
- Optional AES 256-bit encryption, both transmit/receive
- Normal and waypoint tracking
- Real-time reporting
- USB charge port

# SHOUT Personal Device Comparison

Leverage SHOUT personal communication devices to stay connected when outside of cellular range. Maintain real-time messaging and GPS tracking while in the most remote locations.

	SHOUT Nano100 	SHOUT 3G 	SHOUT TW 	SHOUT SP 
GPS Tracking	✓	✓	✓	✓
Freeform Messaging	✓	✓	✓	✓
Canned Messaging	✓	✓	✓	
Encryption	✓	✓	✓	
Position Alert/911	✓	✓	✓	✓
Voice Calls				✓
Geofencing	✓	✓	✓	✓
Cellular GSM		✓		
Color Screen	✓	✓ (resistive)	✓ (resistive)	✓
Touchscreen		✓	✓	✓
Weatherproofing			IP 67 (TW only)	
Size	4.1" x 2.3" x 0.9"	5.0" x 2.4" x 0.9"	4.1" x 2.3" x 0.9" (TS) 4.2" x 2.4" x 0.9" (TW)	4.9" x 2.7" x 0.9"
Weight	7.2 oz	8.1 oz	7.2 oz (TS) 7.5 oz (TW)	12 oz
Overview	Compact basic personal device. Same as SHOUT TS but without touchscreen.	Same as SHOUT Nano but with a touchscreen and 3G plus satellite.	Does not have cellular coverage but includes waterproof and resistive screen.	Messaging and voice calls via multiple Android smart devices.

# HawkEye 5500



## A dual-mode, real-time tracking and vehicle management solution



### DUAL-MODE CONNECTIVITY

Leverages local LTE networks and switches to the Iridium satellite system once out of cellular range. Least-cost routing provides advanced, cost-effective connectivity



### GLOBAL TRACKING, MONITORING, AND MESSAGING

Real-time asset tracking, messaging, and operational analytics, for increased situational awareness. Paired with SkyRouter, securely track your entire fleet in a single interface



### CUSTOMIZABLE VEHICLE INTEGRATION

Customize asset behavior, geofences and Bluetooth applications to match the requirements of your fleet. Optimize asset performance with comprehensive integration into ignition, OBD, and infotainment systems

### KEY FEATURES

- Tracking
- Geofencing
- Vehicle integration
- Built-in trip management
- SkyRouter integration
- Real-time messaging
- Remote emergency switch
- Customizable application integration





Blue Sky Network

# Iridium SkyLink Certus Products

# Maintain seamless voice and data connectivity anywhere with SkyLink

Whether executing a mission-critical operation, monitoring the safety of distant workers, or remotely managing uncrewed assets, our flagship SkyLink devices enable you to reliably maintain seamless voice and data connectivity anywhere on Earth.



## GLOBAL, DUAL-MODE CONNECTIVITY

Dual-mode solutions designed to route between high-speed local cellular networks and the Iridium Certus® satellite service – ensuring total reliability, visibility, and affordability.



## ENHANCE ANY OPERATION

Supports 2 simultaneous high-quality voice lines and provides midband data speeds of up to 88 Kbps, enabling messaging, telemetry, diagnostic monitoring, and command and control (C2) capabilities.



## ADVANCED FIREWALL

Our sophisticated dual firewall and virtual closed user groups ensure your data is safeguarded while allowing hardware, sensors, and IoT devices to communicate in secure, private environments.



## LOW SWaP AND LIGHTWEIGHT TERMINALS

Purpose-built suite of compact, low SWaP products for enhanced portability, installation, and integration.



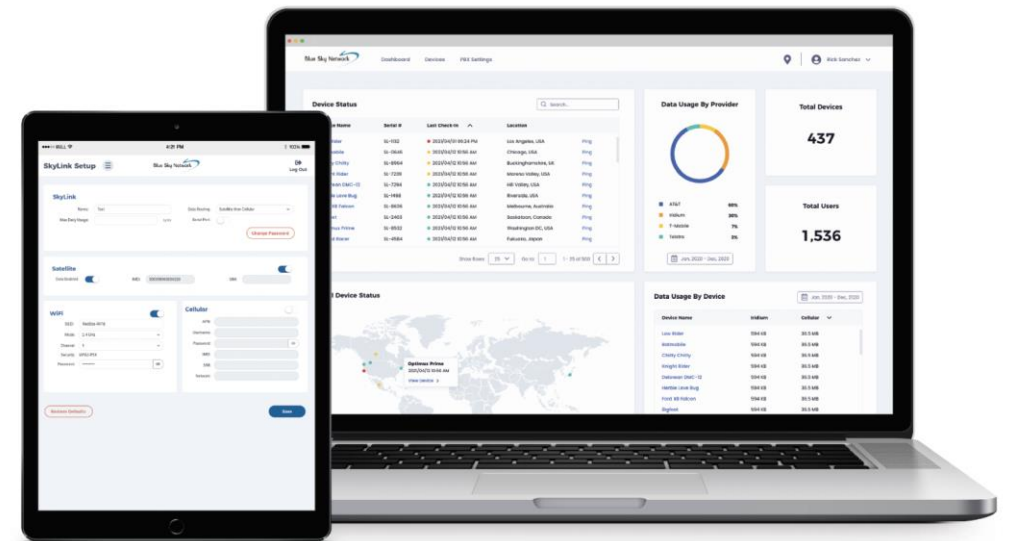
# SkyLink Cloud: Technology Enabled Services

A cloud-based analytics platform for remote, mobile, and global operations, specifically engineered to capture and disseminate mission-critical information in a secure online portal.

## KEY FEATURES

Customizable reports, activity alerts, and dashboards

- Remote device management
- Configurable firewall, port forwarding, whitelisting
- Over The Air Firmware Updates
- Remote diagnostics
- Fleet Management Integration
- Networking solutions: VPN, Static IP
- White-label options



# Gateway - Local and Remote Connections

## A Remote Comms

 Internet Access (Iridium & Cellular)

 Iridium Voice Lines (x2)

## B Local Wi-Fi Comms

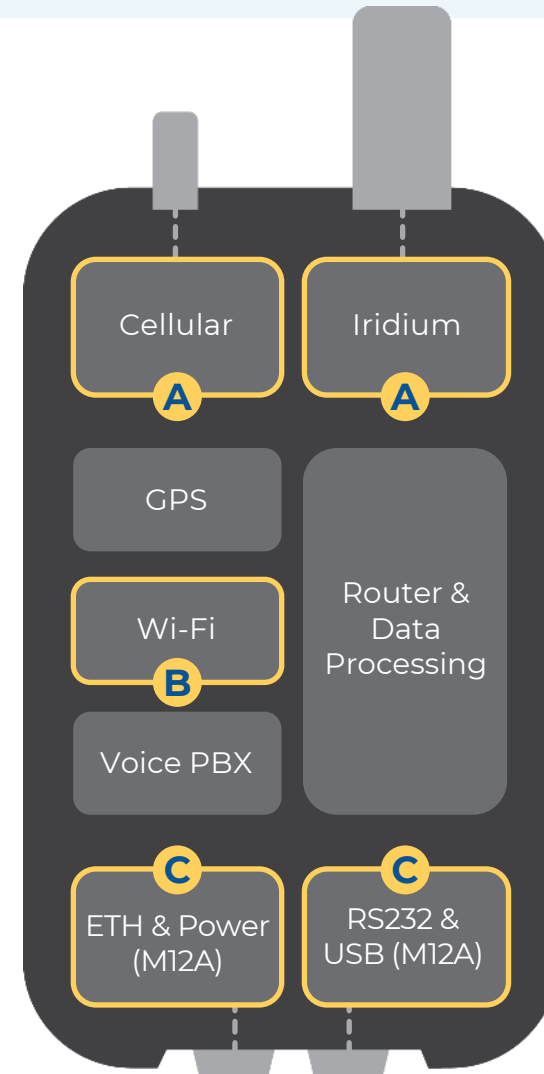
 Smart Devices

## C Local Hardwired Comms

 Plain Old Telephone Service (POTS)

 Terminal Devices

 Local Area Network (LAN)



# SkyLink 5100



## Land-based solution delivering voice and data connectivity, powered by Iridium Certus®



### 100% GLOBAL, DUAL-MODE CONNECTIVITY

Dual-mode satellite and LTE communications solution that enables enterprise-grade voice and real-time data transfers - anywhere on Earth



### REMOTE MONITORING & TELEMETRY FOR TOTAL VISIBILITY

Maintain continuous business operations from your command center with real-time data transmissions



### LOW SWAP COMMUNICATIONS SOLUTION

Compact, lightweight terminal with seamless installation and integration

### KEY FEATURES

- 2 high-quality voice lines
- Messaging
- Telemetry
- Remote monitoring
- Internet/VPN
- Mid-band satellite data
- Email
- Media sharing
- Asset utilization
- Graphical weather

# SkyLink 5100 IoT



## Optimizes business operations by delivering essential data from any asset, anywhere



### 100% GLOBAL, DUAL-MODE CONNECTIVITY

Dual-mode satellite and LTE connectivity solution, supporting data transfer capabilities, anywhere on Earth



### REMOTE MONITORING & TELEMETRY FOR TOTAL VISIBILITY

Maintain continuous business operations with real-time telemetry and sensor data



### EDGE COMPUTING & SCADA TRANSFERS

Processing data at the network edge

### KEY FEATURES

- Edge computing (releasing soon)
- SCADA transfer
- Real-time monitoring
- Internet/VPN
- Mid-band satellite data
- Broadband cellular data
- High-value asset tracking
- Battery backup available

# SkyLink 6100



## Delivers cost-effective satellite voice and data connectivity for maritime operations, anywhere on the planet



### 100% GLOBAL, DUAL-MODE CONNECTIVITY

Dual-mode satellite and LTE communications solution that enables enterprise-grade voice and real-time data transfers, anywhere on Earth



### REMOTE MONITORING & TELEMETRY FOR TOTAL VISIBILITY

Effortlessly transmit data and remotely command and control uncrewed assets with ease



### LOW SWAP COMMUNICATIONS SOLUTION

Compact, lightweight terminal with seamless installation and integration

### KEY FEATURES

- 2 high-quality voice lines
- Messaging
- Out-of-Band (OOB) management
- Vessel Monitoring System (VMS)
- Satellite AIS datalink
- Telemetry offload
- SIP for PABX
- Internet/VPN
- Email & media sharing
- Mid-band satellite data

# SkyLink Tactical Box



**Provides continuous satellite voice and data connectivity for aviation and UAV operations, powered by Iridium Certus®**



## **100% GLOBAL, DUAL-MODE CONNECTIVITY**

Dual-mode satellite and LTE communications solution with voice, data, and BVLOS connectivity, anywhere on Earth



## **REMOTE OPERATIONS AND MONITORING**

Track precise location and diagnostics of mission-critical vessels and leverage command and control (C2) capabilities for uncrewed assets



## **LOW SWAP COMMUNICATIONS SOLUTION**

As a compact, ruggedized terminal, the Tactical Box is highly portable to support on-the-go, mission-critical communication

## **KEY FEATURES**

- BVLOS capabilities
- Command & Control (C2)
- Low size, weight, and power (SWaP)
- Device-to-device mesh networking
- Blue Force Tracking (BFT)
- Field-replaceable batteries
- HD Voice
- 2-way messaging & email





Blue Sky Network

# Components & Installation

# Data Gateway Connectors

Top Panel:



Bottom Panel:



1. Iridium antenna connector
2. Power / charging LED light
3. Cellular antenna connector

4. Cellular antenna
5. Power port
6. Connectivity port

# Antenna Options



**MARUWA**

- Minimum cable loss: 0.4 dB
- Maximum cable loss: 1.0 dB
- LMR240 cable length: 0' to 5'

Height: 57mm (2.25in)

Maruwa Antenna



**SCAN**

- Minimum cable loss: 0.4 dB
- Maximum cable loss: 2.0 dB
- LMR240 cable length: 2' to 18'

Height: 150mm (5.9in)

SCAN Antenna



**High-Profile Maxtena**

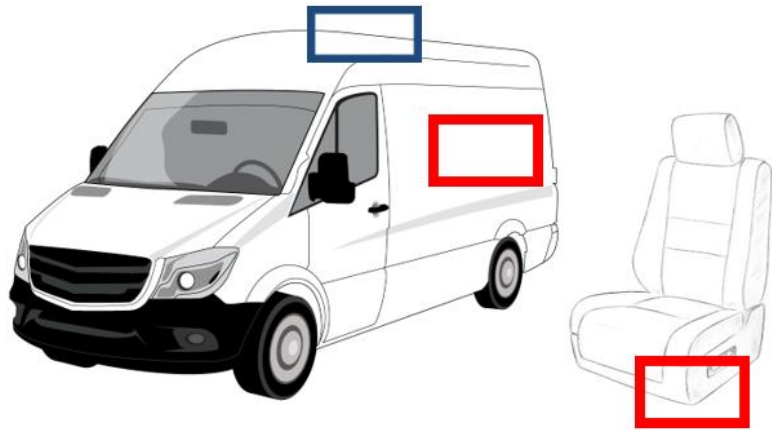
- Minimum cable loss: 0.4 dB
- Maximum cable loss: 2.0 dB
- LMR240 cable length: 2' to 12'

Height: 125mm (5 in)

Maxtena Antenna



# Installation Location Suggestions



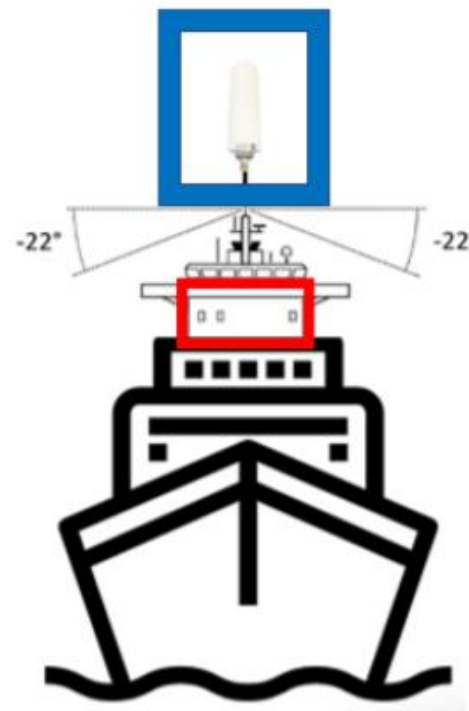
## SkyLink

- Under driver or passenger seat
- In trunk of vehicle

## Antenna

- On roof of vehicle

**NOTE:** No ground plane required

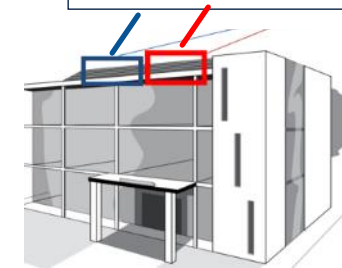
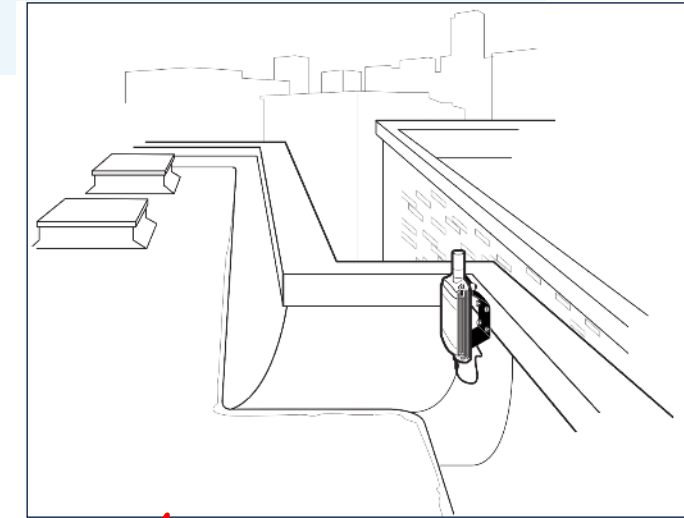


## SkyLink

- In the bridge
- On pole mount attached to mast

## Antenna

- On mast



## SkyLink

- On roof

## Antenna

- On roof

**NOTE:** The terminal should not be placed in a room when using the MARUWA antenna.

# SkyLink Citadel



## A resilient anti-piracy solution that offers satellite voice and data connectivity to the outside world, when needed



### 100% GLOBAL CONNECTIVITY

Iridium satellite communications solution that enables enterprise-grade voice and real-time data transfers, anywhere on Earth



### PROTECTION FROM PIRACY

SOS switch transmits threat alerts and backup battery enables continuous operations



### LOW-SWAP, OUTDOOR TERMINAL

Designed as a compact and discreet outdoor unit to minimize potential damage from an intruder

### KEY FEATURES

- SOS switch
- 2x High-Definition voice lines
- Messaging & email
- Data / VPN / Advanced firewall
- Simple installation & easy to use
- GNSS with configurable reporting
- Battery backup
- Up to 300' Distance
- WiFi Option
- CCTV Compressed Video Capable

# SkyLink Citadel Block Diagram



## IRIDIUM CERTUS® OUTDOOR TERMINAL AND ANTENNA

- Maritime certified IEC 60945
- Available in white or black outer shell
- Vibration mount, pole and rail mount



## UP TO 300' CABLE

- Cable certified to IEC60332-3
- Heavy duty industrial metal turret connectors
- Includes Ethernet, DC voltage, SOS line, and RJ11 phone cable



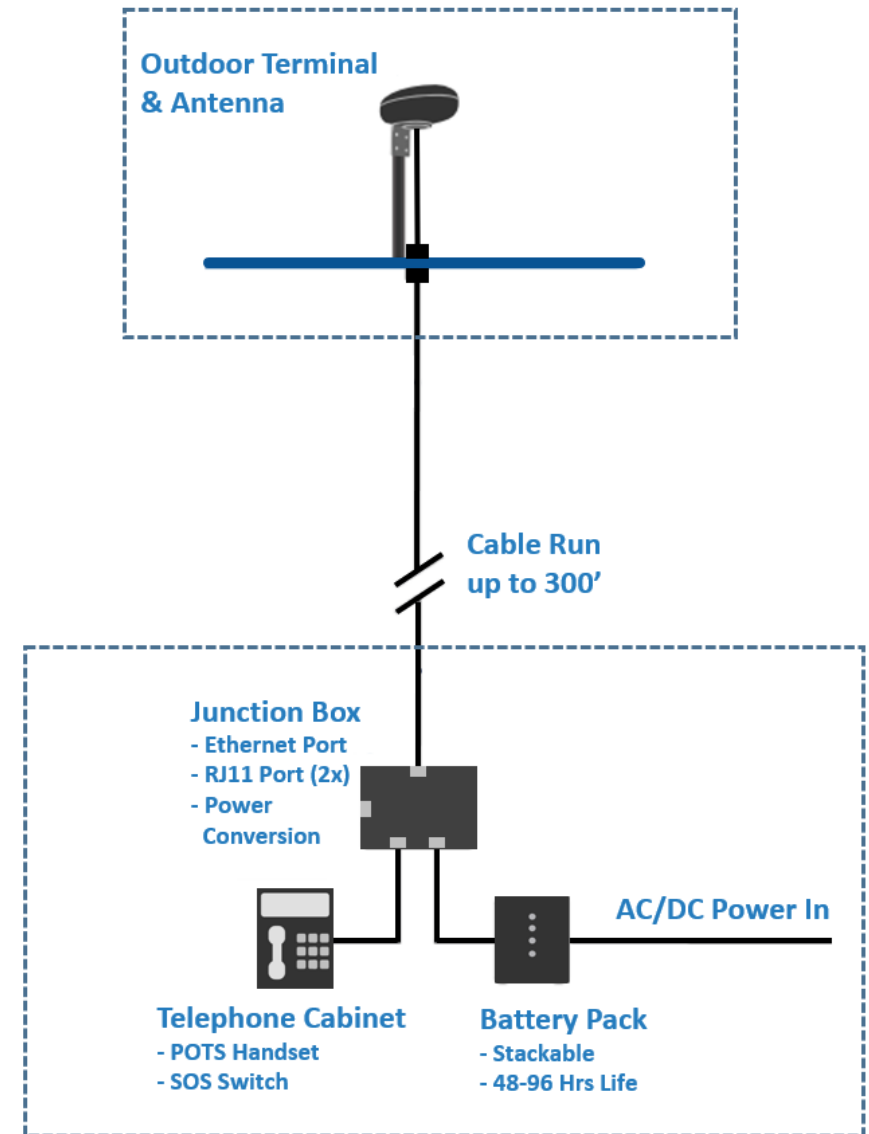
## POTS TELEPHONE WITH CABINET AND JUNCTION BOX

- Corded phone in lockable cabinet
- Additional captain's phone can be added to bridge
- Dialing instructions located inside cover



## BATTERY BACKUP SYSTEM

- 24 - 48 hours battery life
- Built for maritime applications
- Exceeds IMO BMP5 for anti-piracy



# SkyLink Citadel – Kit Components

## ADU:

- Enclosure
- Mount
- SkyLink 6100 Satcom
- Iridium Certus Antenna
- POTS Adapters
- Up to 300' Composite Cable

## BDU:

- Junction Box
- Lockable Phone Cabinet w/SOS Switch
- SkyLink Backup Battery Pack

## OPTIONAL:

- Enclosure Color: Black or White
- Composite Cable length: 300' and 150'



# Blue Sky Network: Citadel Comparison



ASE Citadel



BSN Citadel

Capabilities	ASE Citadel	BSN Citadel
Discreet Installation	✓	✓
300' Cable Distance	✓	✓
Lockable Phone Cabinet w/ POTS	✓	✓
GNSS	✓	✓
Iridium Voice	✓	
HD Voice		✓
2x Voice Lines		✓
IP Data Networking		✓
Messaging & Email		✓
Wi-Fi Capable		✓
VPN		✓
Firewall		✓
Cloud Services		✓
SOS Emergency Alerts		✓
Tracking		✓
Battery Backup 48+ Hours		✓



# SkyLink 6100E



## Delivers cost-effective satellite voice and data connectivity for maritime operations, anywhere on the planet



### 100% GLOBAL, DUAL-MODE CONNECTIVITY

Dual-mode satellite and LTE communications solution that enables enterprise-grade voice and real-time data transfers, anywhere on Earth



### REMOTE MONITORING & TELEMETRY FOR TOTAL VISIBILITY

Effortlessly collect and transmit data remotely, providing real-time situational awareness and operational health of connected systems



### LOW SWAP COMMUNICATIONS SOLUTION

Compact, lightweight terminal with seamless installation and integration

### KEY FEATURES

- 300' Distance
- VoIP Telephony & Messaging
- Out-of-Band (OOB) management
- PoE Solution
- IMT Messaging
- Telemetry offload
- SIP for PABX
- Internet/VPN
- LTE & GNSS
- Mid-band satellite data

# SkyLink Specifications

- **Operating Voltage: 10-34VDC**
- **Power Consumption: 7 watts nominal, 18 watts peak**
- **AC Mains: 115/230VAC 50/60HZ to 24VDC; adapter provided**
- **Operating Temp range: -40C to +70C**
- **Exposure: Outdoor (IEC 60945), IP67 Rating**
- **Size: 36.1cm x 18.5cm x 15.7cm)**
- **Weight: 1.7kg**
- **Speeds: Iridium Certus 100 (88kbps downlink / 22kbps uplink)**
- **Interfaces: RJ-45, RJ-11 (2x)**



# SkyLink ComCenter



## A resilient business continuity solution that offers satellite voice and data connectivity to the outside world, when needed



### 100% GLOBAL, DUAL-MODE CONNECTIVITY

Weather-resilient dual-mode satellite and LTE solution that enables enterprise-grade voice and critical communications – anytime, anywhere



### CRITICAL COMMUNICATIONS

Provides always-available indoor satellite voice and data communications during emergency situations



### IDEAL IN-BUILDING SOLUTION

Designed as fixed-site solution with POTS/VoIP for office infrastructure integration

### KEY FEATURES

- SOS switch
- 2x High-Definition Voice Lines
- Messaging & email
- Internet / VPN
- Simple installation & easy to use
- RJ-11 and RJ-45 Interfaces
- Battery backup
- Advanced local firewall
- Interface to Office PABX
- WiFi Option

# SkyLink ComCenter Block Diagram



## IRIDIUM CERTUS OUTDOOR TERMINAL AND ANTENNA

- Integrated SkyLink satcom and antennas
- Available in white or black outer enclosure
- Vibration mount, pole and rail mount



## UP TO 300' CABLE

- Cable certified to IEC60332-3
- Heavy duty industrial metal turret connectors
- Includes Ethernet, DC voltage, SOS data, and POTS twister pairs



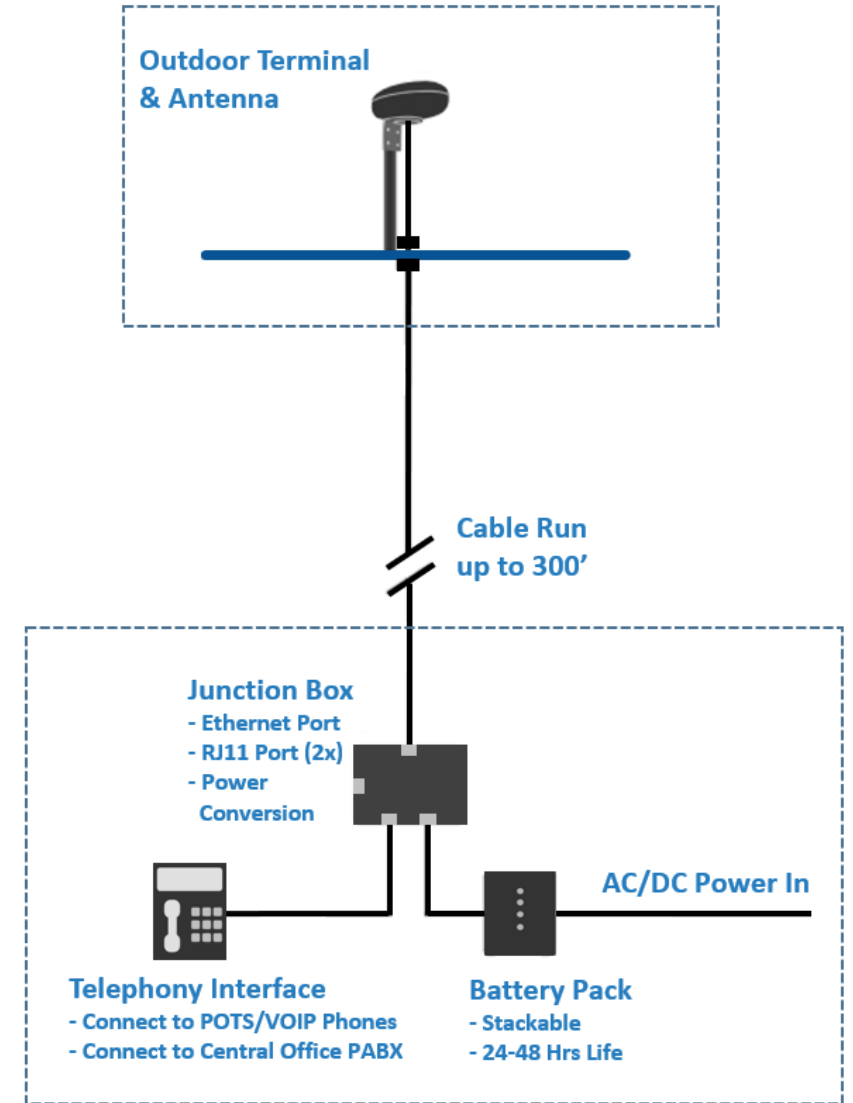
## INTERFACE TO POTS/VOIP TELEPHONY

- Junction box with 2x RJ-11 and 1x RJ-45 Interfaces
- Connect to Analog Phones or Wireless Phone System
- Connect to Central Office PABX

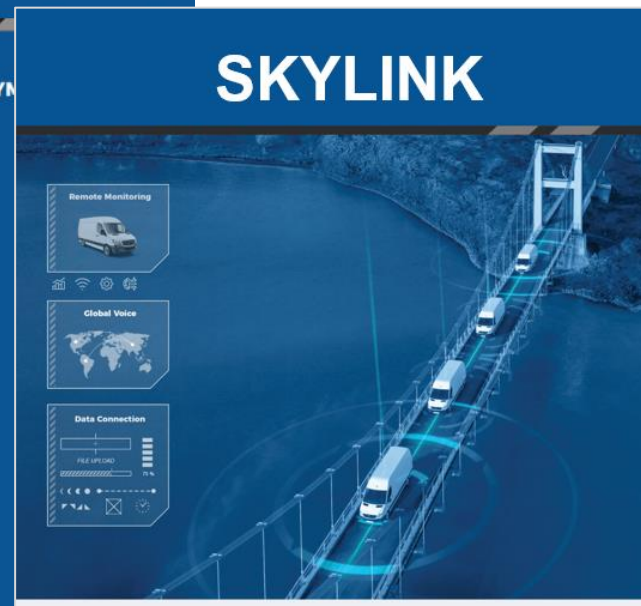


## BATTERY BACKUP SYSTEM

- 24-48 hours battery life
- Integrated SOS switch for emergency alerting
- Stackable power packs



# Collateral & Documentation



# Iridium GO! exec<sup>®</sup>



## Supports 2 voice lines and delivers Wi-Fi connectivity for select messaging, email, and app usage



### 100% GLOBAL, WI-FI CONNECTIVITY

Enables Wi-Fi connectivity for select messaging, email, social media, weather, and light web browsing apps



### HIGH-QUALITY CALLS DIRECTLY FROM DEVICE

Users can make up to 2 phone calls directly on Iridium GO! exec using the built-in speakerphone and microphone or connect wirelessly to the device within a range of up to 30 m (100 f) from their smartphone



### PORTABLE TERMINAL

This light and compact product offers portable personal and office connectivity

### KEY FEATURES

- Built-in secure Wi-Fi connectivity
- Compact design
- Color touchscreen
- Multi-user access for up to two voice calls or multiple data connections
- Built-in speakerphone & microphone functionality
- Dual USB-C, ethernet & external antenna / GPS ports
- Mid-band satellite data

# Thales MissionLINK



## Provides reliable global coverage for critical land operations in the most remote parts of the world



### 100% GLOBAL, BROADBAND CONNECTIVITY

Weather-resilient satellite coverage with low latency for critical data and voice communications—anytime, anywhere



### REMOTE MONITORING & TRACKING

Location tracking, service logging, crew connectivity, cargo monitoring, and real-time weather reports keep you up to speed on operational status



### LOW SWaP, RUGGED TERMINAL

A durable, low-profile design, MIL-STD-810 military standard testing, and an IP66-rated single cable antenna make MissionLINK the ideal communications solution for prolonged operations in the elements

## KEY FEATURES

- Certus® 700 services (352kbps Up/704kbps down & 256 kbps streaming capable)
- 4G LTE ready, softphone and Push-To-Talk (PTT) capabilities, embedded 802.11b/g Wi-Fi access point
- 3 dedicated voice lines and support for up to 3 concurrent Wi-Fi devices
- Satellite to land-mobile radio extendable network through a unique radio gateway
- Easily integrates terrestrial cellular with built-in preferred routing switch

# Thales VesseLINK



**Provides 100 % global coverage for critical maritime operations, anywhere on the planet**



## **100% GLOBAL, BROADBAND CONNECTIVITY**

Weather-resilient satellite coverage with low latency for critical data and voice communications—anytime, anywhere



## **REMOTE MONITORING & TRACKING**

Enhanced at-sea reporting, service logging, crew connectivity, system and cargo monitoring, location tracking, and real-time weather reports keep you up to speed on operational status



## **LOW SWaP, RUGGED TERMINAL**

A durable, low-profile, adaptable design with salt and fog corrosion protection makes VesseLINK the ideal communications solutions for prolonged operations at sea

## **KEY FEATURES**

- Certus® 700 services (352kbps Up/704kbps down & 256 kbps streaming capable)
- 4G LTE ready, softphone and Push-To-Talk (PTT) capabilities, embedded 802.11b/g Wi-Fi access point
- 3 dedicated voice lines and support for up to 3 concurrent Wi-Fi devices
- Satellite to land-mobile radio extendable network through a unique radio gateway
- Easily integrates terrestrial cellular or VSAT with built-in preferred routing switch





Blue Sky Network

# Q&A

## Contact Information:

**Ana Maria Edwards**  
**703-559-6995**

**[AMEdwards@blueskynetwork.com](mailto:AMEdwards@blueskynetwork.com)**