

Olex

Atec 400 - Multibeam sonar

[Main page](#)

[Products](#)

[FAQ](#)

[Distributors](#)

[Release notes](#)

[News](#)

[Seafloor maps](#)

[Download](#)

[Contact us](#)



Atec 400 is our new multibeam sonar system. It combines a sonar from NORBIT with software from Olex. While being compact and handy, Atec 400 is accurate and powerful. No junction box or control PC is needed, just connect the sonar directly to the Olex!

The sonar uses broadband technology for increased range and accuracy. With its high ping rate and wide maximum swath coverage of 180 degrees, Atec 400 is especially effective in shallow water survey. At greater depths, one can reduce the swath range in order to increase the ping rate. During seatrials we have been able to map down to 250 meters.

When Atec 400 is set to Auto, Olex determines various parameters such as pulse length,

Olex

Atec 400 - Multibeam sonar

[Main page](#)

[Products](#)

[FAQ](#)

[Distributors](#)

[Release notes](#)


[News](#)

[Seafloor maps](#)

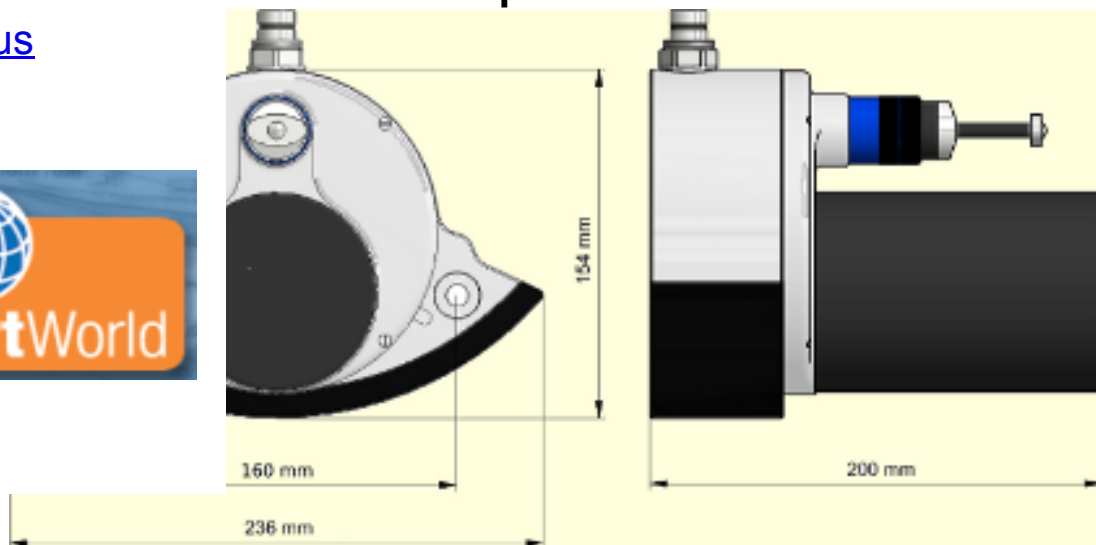
[Download](#)

[Contact us](#)



Through our dealers, we offer a complete survey system consisting of Olex  sonar, and different solutions for position, attitude and sound velocity. One can for instance choose Olex Tripods and auto sound speed as a mid-range solution, or RTK-GPS, Kongsberg MRU and Valeport SVP for best results. The collected seabed data can be exported as complete Olex 3D models, as text files for import to other GIS or as screenshots.

Technical specifications



- Swath coverage: Up to 180° - typically 130°
- Number of beams: 256
- Operating frequency: 320-480 kHz
- Bandwith: 80 kHz
- Ping rate: Up to 50 Hz
- Range: 0.2 - 200+ m
- Range resolution: <10mm
- Resolution: 0.9° across track, 1.9° along track
- Weight: 4.3kg
- Power consumption: 30-40W (peak <120W)
- Voltage: 20-28V DC
- Standard cable length: 8m

Olex

Atec 400 - Multibeam sonar

[Main page](#)

[Products](#)

[FAQ](#)

[Distributors](#)

[Release notes](#)

[News](#)

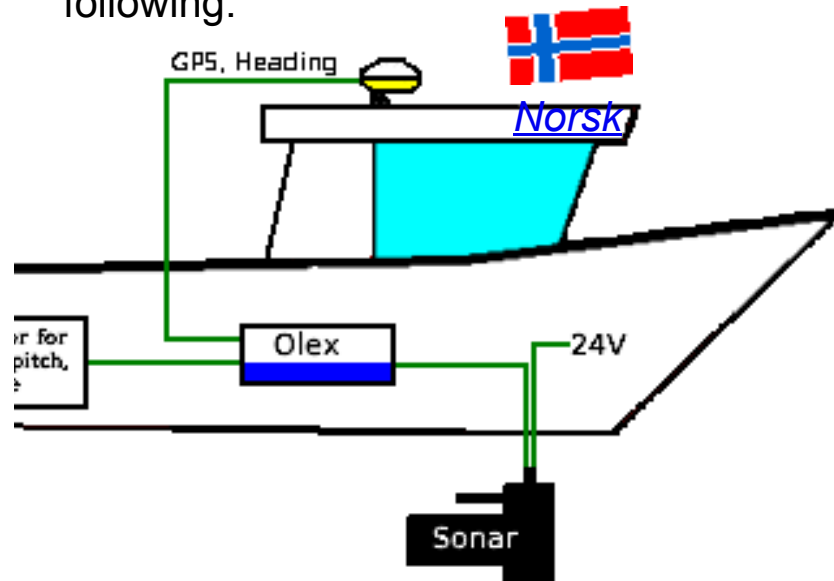
[Seafloor maps](#)

[Download](#)

[Contact us](#)



following:



- Olex full version
- HT+ATEC software modules for Olex
- Atec sonar
- Valeport Mini-SVP sound velocity profiler
- RTK GPS
- Tripos, or MRU and heading sensor

[Download product sheet as PDF](#)



marinesales@mackaymarine.com
+1 281 479 1515

service@mackaymarine.com
+1 281 478 6245