



# WEATHER FACSIMILE RECEIVER JAX-91

***A Reliable and Flexible Operation  
15-Inch Wide Weather Facsimile***



# JRC WEATHER FACSIMILE RECEIVER JAX-91

## FEATURES

The JAX-91 Weather Facsimile Receiver is the paper base recording system. It is easy to check by the automatic printout function.

On top of it, a new function characterizes that as a suitable Frequency is automatically selected on checking wave propagation, Frequency selection and timer operation in the area of the same Broadcasting station are enhanced.

### ●Flexible Operation

The JAX-91 can operate in four start and stop modes for transmitted patterns from broadcast stations, purposes of facsimile receiving and recording status:

- (1) Fully automatic: All operations from start to stop are controlled by the remote control signal under WMO Recommendation, ensuring error-free recording.
- (2) Semi-automatic: Automatic phasing and start by manually setting an index of cooperation and a scan speed.
- (3) Manual: Start and stop, and phasing are manually made, but in a unique method enabling momentary phasing.
- (4) Programmed: With the internal timer, the times of start and stop, start and stop modes, station frequencies, half-tone on/off are programmable. When combined with the fully automatic mode, unattended, error-free operation is available.

### ●Fine Half-Tone Recording

Pictures of clouds can be recorded in 16-level half-tone gradation by dithering. This digital method ensures high-resolution recording to represent even very fine lines so clearly that it is compared to analog pictures.

### ●Synthesized Receiver

The built-in synthesized receiver is capable of setting any receiving frequency from ten-key pad and presetting up to 90 spot frequencies in the memory. This feature is very effective when receiving any new broadcast frequency and changing the station frequency by manually or automatically.

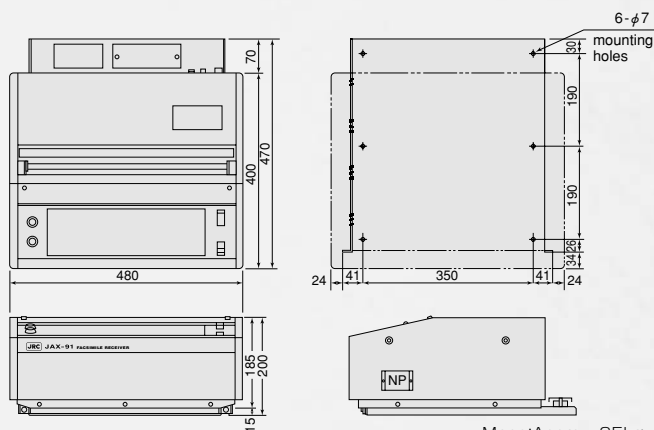
### ●Printout of Frequencies and Program Lists

Up to 90 channels of memory frequencies and up to 15 channels of program lists can be printed out on the recording paper.

### ●High Quality Pictures

The effect of radio interference such as multi-pass echo and fading can be detected and indicated (RCV MONI TOR) for effective frequency selection and for judgment of recording quality.

## DIMENSION (mm) & WEIGHT



● Specifications may be subject to change without notice.

## SPECIFICATIONS

### ●Facsimile Recorder

Recording system	: Solid-state scanning by thermal head
Recording paper	: Thermosensitive 400mm (W) × 100m (L) / roll
Effective scanning line	: 384mm
Index of cooperation	: 576 and 288
Scanning speed	: 60, 90, 120, 180 and 240 spm
Scanning density	: Approx. 4.7 lines/mm (576) or approx. 2.4 lines/mm (288)
Scanning resolution	: 8 dots/mm
Phasing	: Automatic/manual
Tuning indicator	: LED indicator with radio interference detector
Signal input	: 1900Hz ± 400Hz, 600 ohm
Start and stop modes	: (1) Automatic

- All actuation is performed automatically.
- (2) Semi-automatic  
The IOC and scan speed are manually selected and Phase matching recording and stop are automatically Controlled.
- (3) Manual  
All the operations are manually preset.
- (4) Program  
The operations are programmed using the Internal timer.

### ●Synthesized Receiver

Receiving system	: Double superheterodyne with PLL frequency synthesizer
Mode of reception	: F3C
Frequency range	: LF / 80kHz - 160kHz HF / 2MHz - 24,999MHz
Frequency display	: 6-digit LED (10MHz to 100Hz digits)
Frequency setting	: Direct selection from ten keys
Frequency memory	: Up to 90 spot frequencies presettable from ten-key pad
Frequency bands	: Automatically selectable from 5 bands
Sensitivity	: LF / 10μV (+20dBμ) or less HF / 2μV (+6dBμ) or less for antenna input to obtain the output of -5dBm at 20dB S/N
Image rejection ratio	: 70dB or more
Signal selectivity	: 6dB down 2.4kHz to 3.0kHz 60dB down 6kHz or less 66dB down 10kHz or less
ISB receiving (Δf)	: By the use of UP/DOWN switch
Signal output	: 0dBm at 600 ohm
Output frequency	: 1900Hz ± 400Hz

### ●Programming Functions

Number of programs	: 15 programs
Contents of memory	: Times of recording start and stop, receiving frequency, fully automatic/semiautomatic mode, IOC, scan speed and half-tone on/off
Storing method	: Keying from ten-key pad and function keys

### ●General

Power supply	: 80-132VAC or 160-246VAC, 50/60Hz, single-phase.
Power consumption	: 130VA or less

## COMPONENTS

- Facsimile Receiver ..... 1
- Protective Cover ..... 1
- Standard Spare Parts ..... 1 set
- Operation Manual ..... 1 copy
- Table of Broadcast Schedule ..... 1 copy

For further information, contact:



**Japan Radio Co., Ltd.**  
URL <http://www.jrc.co.jp/eng/>

**Main Office:** Nittochi Nishi-Shinjuku bldg.  
10-1, Nishi-Shinjuku 6-chome  
Shinjuku-ku, Tokyo 160-8328, Japan  
Telephone: +81-3-3348-4099  
Facsimile: +81-3-3348-4139

**Overseas Branches :** Seattle, Amsterdam, Athens  
**Liaison Offices :** Taipei, Manila, Jakarta, Singapore,  
Hanoi, New York



ISO9001, ISO14001 Certified