

JRC

Color Plotter JLZ-700

Equivalent to NWU-700/800 in operability



- C-MAP NT+ is available
- Three component configuration: Processor, Keyboard and Display
- 10.4" Color LCD (640x480 VGA) display meets IPX5 waterproofing, vibration specifications IEC60945
- Display unit monitor swivels and tilts for easy viewing with variable illumination setting for personal preference
- Second display capability with one processor using optional RGB Video output (CAD-239)
- Trackball makes cursor operation very easy

JRC *Japan Radio Co., Ltd.*



Navigational and operational information can be seen clearly on the same screen.

The JLZ-700 color plotter connected to a GPS or DGPS receiver can display the ship's own position, trail, waypoints, destination and coastlines in color in an easy-to-see screen. The JLZ-700 is a very useful tool for enhancing your efficiency of fishing operations and safety of navigation.

● Features

Detailed coastline information with geographical names

The detailed coastline information includes landmarks such as geographic names, allowing easy check on own ship's current position and fishing grounds.

Display of various types of information

Various types of information including the topographic features of sea bottoms, user data on fishing grounds and navigational information can be displayed using JRC's unique marks, symbols and lines such as for example, for a fish-breeding reef, sunken ship, sea bottom topology or prohibited district.

Flexible display operation

The display can be enlarged, scaled or scrolled easily at high speed. While watching the coastlines and fishing ground data, you can search for a target fishing ground swiftly.

Easy entry by trackball

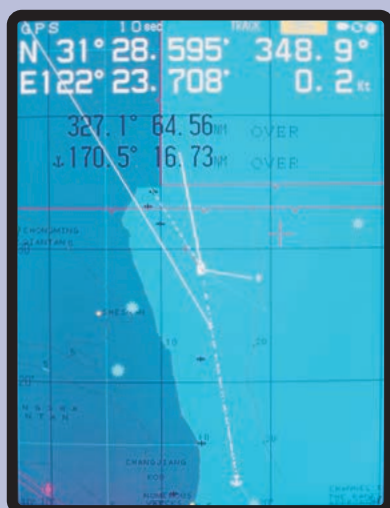
The cursor operation using a trackball allows any mark or symbol to be entered on the display in an easy way.

JRC DGPS receiver connectable

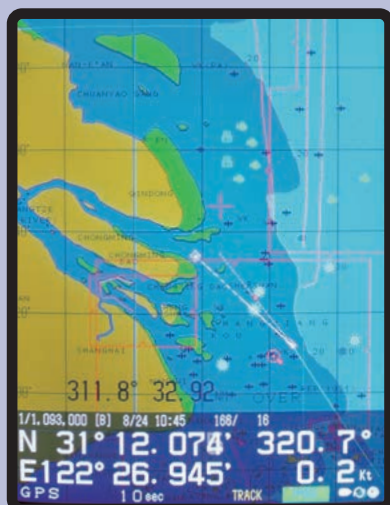
A JRC differential GPS receiver that is optionally available can be connected directly to the JLZ-700 plotter to ensure the positioning with a high accuracy of several meters.



Major Specifications



Course up mode



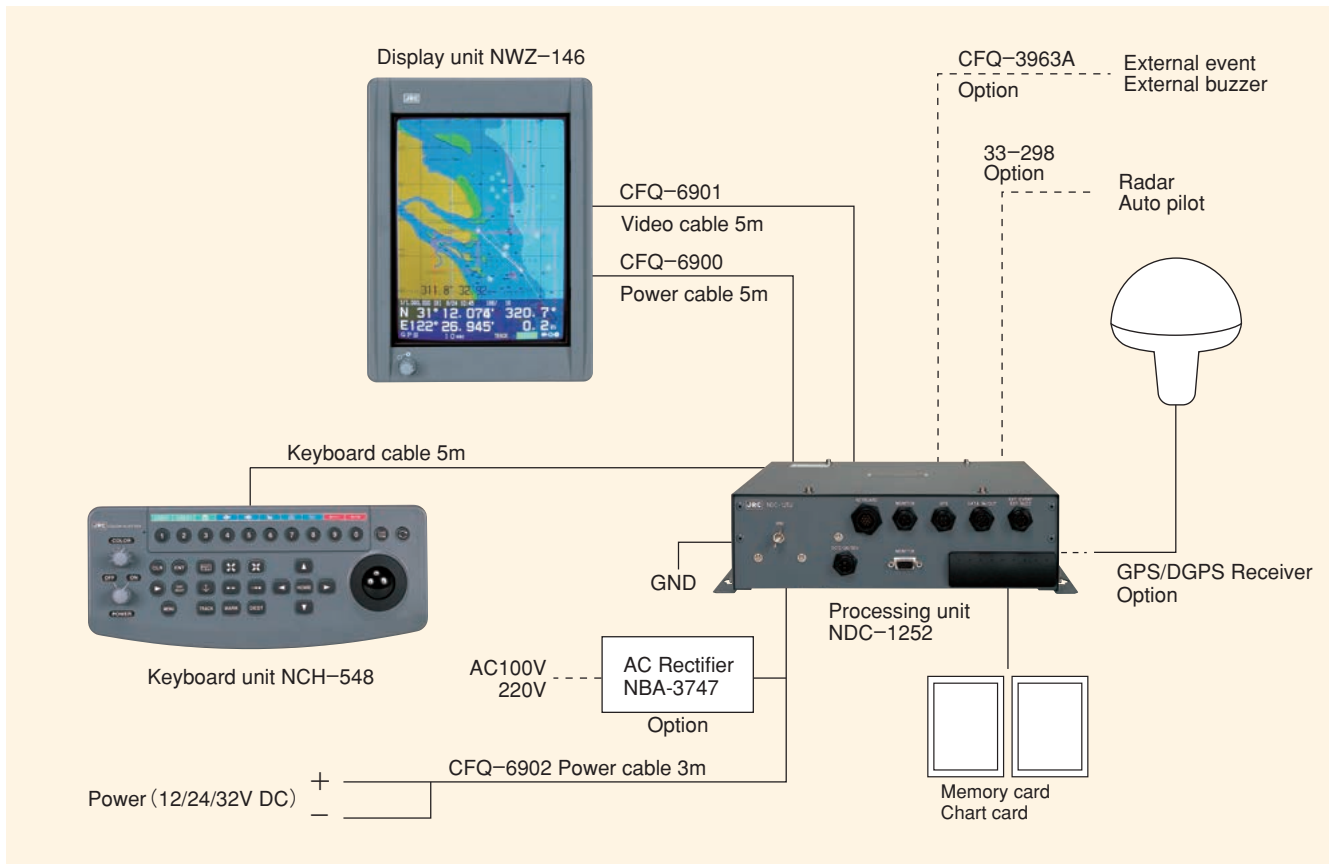
C-MAP card indication



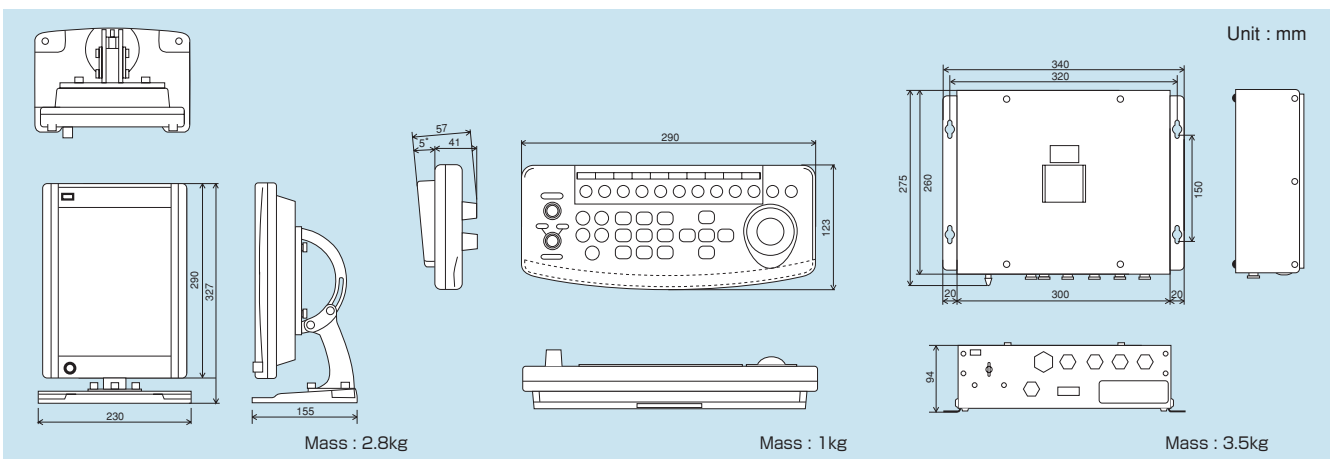
Water temperature a track indication

Display	10.4 inch high-luminance TFT color LCD
Display method	Mercator projection (up to lat. 85°) (in equidistant presentation)
Chart scale	1/1,000 to 1/10,000,000 variable continuously or in 10 steps
Track display	<p>Display color 7 colors</p> <p>Plotting intervals 1, 3, 5, 10 or 30 sec., 1, 5, 30 or 60 min., or Settable to a distance of 0.1, 0.5, 1, 3, 5, 10 miles and Off.</p> <p>Memory capacity 20,000 points (including marks)</p>
Marks	<p>Display color 7 colors</p> <p>Memory capacity 20,000 points (including trail)</p> <p>Mark types 5 types (selectable from 13 types)</p>
Event marks	<p>Display color 7 colors</p> <p>Memory capacity Included in the mark memory</p> <p>Mark types 3 types (selectable from 9 types)</p>
Waypoint marks	999 points
Chart data	CMAP-NT and NT + card (option)
External memory	Memory card with a capacity of 100,000 points (option)
Cursor	Trackball operation
Data display	Own ship's current position, scale, bearing/ range/time to destination, own ship's course/ speed, cursor position and time
Data output	NMEA 0183 and JRC format
Other features	<p>Screen width display</p> <p>Instant plot storing</p> <p>DGPS/GPS receiver, DGPS212/GPS112 connectable</p> <p>Loran A/C time difference display</p> <p>Decca LOP display (with correction)</p> <p>Route planning</p> <p>External event input</p> <p>External buzzer output (relay contact)</p>
Power supply	12/24/32 V DC (10.8-42 V DC) 40W (MAX)
Operating temperature	-15°C to +55°C
Options	<p>GPS receiver GPS112</p> <p>DGPS receiver DGPS212</p> <p>Video output unit CAD-239</p>

System Diagram



Outline drawing



For further information, contact:



Since 1915

Japan Radio Co., Ltd.

URL <http://www.jrc.co.jp/>

Main Office: Nittochi Nishi-Shinjuku bldg.
10-1, Nishi-Shinjuku 6-chome
Shinjuku-ku, Tokyo 160-0023, Japan
Telephone: +81-3-3348-4099
Facsimile: +81-3-3348-4139

Overseas Branches : Seattle, Amsterdam
Liaison Offices : Taipei, Manila, Jakarta, New York,
Piraeus